

9RL2 Submittal

AOU9RL2, ASU9RL2

Inverter Driven Heat Pump



Job Name: _____
 Location: _____
 Engineer: _____
 Submitted to: _____
 Submitted by: _____
 Reference: _____

Approval: _____
 Date: _____
 Construction: _____
 Unit #: _____
 Drawing #: _____

Outdoor Unit Power 115/VAC-1Ph-60Hz
 Available Voltage Range 103.5-126.5
 Fuse Size, Max. 15A
 MCA 13.5A

Compressor Inverter Driven Variable Speed DC Rotary
 No. used 1
 Output 700W
 Lubrican Oil POE (RB68)

Fan type Propeller
 Motor Output 23W
 Airflow Rate Cooling/Heating (High) 1013 / 889CFM

Refrigerant R410A
 Outdoor Unit 1lb 7oz
 Control Electronic Expansion Valve
 O.D. Discharge (in) 1/4"(Flare)
 O.D Suction (in) 3/8"(Flare)

Dimensions H x W x D
 Uncrated (in) 21-1/4 x 26 x 11-11/32
 (mm) (540 x 660 x 290)
 Crated (in) 24-1/16 x 31-3/8 x 15-25/32
 (mm) (611 x 797 x 401)

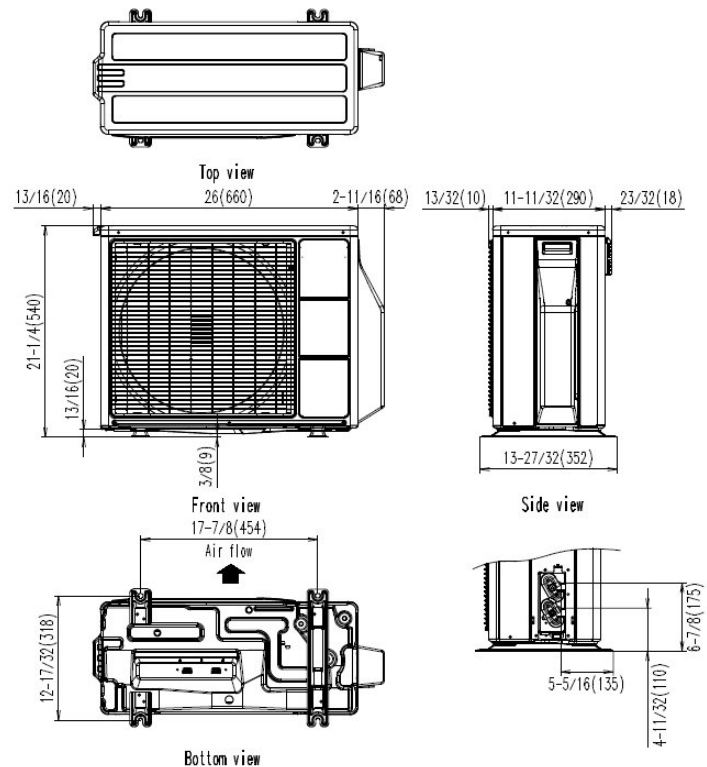
Weight Outdoor
 Net 64lbs (29kg)
 Gross Shipping 69lbs (31kg)

Cooling
 Rated Capacity 9,000BTU/h
 Min-Max Capacity 1,700~10,700BTU/h
 Rated Power Input 0.83kw
 Max. Power Input 1.44kw
 SEER 16
 Outdoor Sound Rating 47dB

Heating
 Rated Capacity 10,000BTU/h
 Min-Max Capacity 1,700~12,000BTU/h
 Rated Power Input 0.77kw
 Max. Power Input 1.49kw
 HSPF 9
 Outdoor Sound Rating 50dB

Piping Lengths
 Max. Piping Length (Total) 66ft
 Max. Pipe Height Difference 49ft
 Connection method (Flared)

Operating Range
 Cooling 15°F~115°F DB
 Heating 15°F~75°F DB



Fujitsu General America, Inc.
 Fairfield, NJ 07004
 Toll Free: 1-888-888-3424
 Fax: (973) 836-0447
 www.fujitsugeneral.com

Fujitsu products are subject to continuous improvements. Fujitsu reserves the right to modify product design, specifications and information in this data sheet without notice and without incurring any obligations.

Note: Specifications are based on the following conditions.

Power source of specifications : 230V

Cooling: Indoor temperature of 80°F(26.67°C)DB / 67°F(19.44°C)WB, and outdoor temperature of 95°F(35°C)DB/75°F(23.89°C)WB.

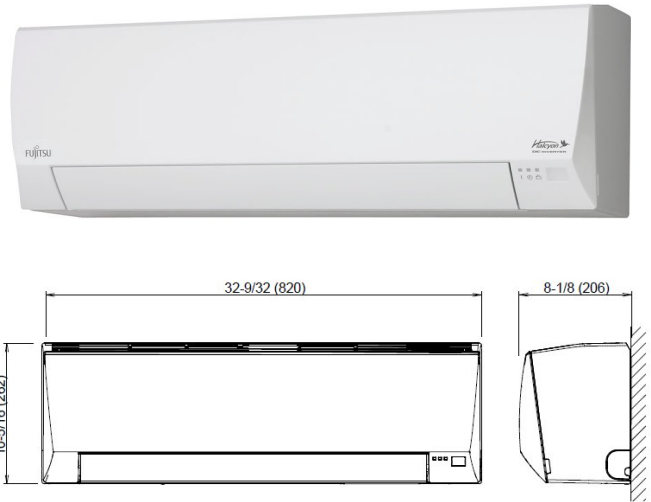
Heating: Indoor temperature of 70°F(21.11°C)DB / 60°F(15.56°C)WB, and outdoor temperature of 47°F(8.33°C)DB/43°F(6.11°C)WB.

Pipe length : 24ft. 7in.(7.5m), Height difference : 0 ft.(0m) [Outdoor unit - Indoor unit]





Indoor Unit Power	115/VAC-1Ph-60Hz	
Available Voltage Range	103.5-126.5VAC	
Fan type	Cross flow	
Motor Output	28W	
MCA	1.0A	
Sound Pressure Level		
Cooling	Lo-Hi	23-43dB
Heating	Lo-Hi	23-43dB
Airflow rate		
Cooling	Lo-Hi	191-424CFM
Heating	Lo-Hi	191-436CFM
Dimensions	H x W x D	
Uncrated	(in)	10-5/16 x 32-9/32 x 8-1/8
	(mm)	(262 x 820 x 206)
Crated	(in)	10-11/32 x 34-1/4 x 12-29/32
	(mm)	(263 x 870 x 328)
Weight	Indoor	
Net	16lbs (7kg)	
Gross Shipping	20lbs (9kg)	



Fujitsu General America, Inc.
 Fairfield, NJ 07004
 Toll Free: 1-888-888-3424
 Fax: (973) 836-0447
 www.fujitsugeneral.com

Fujitsu products are subject to continuous improvements. Fujitsu reserves the right to modify product design, specifications and information in this data sheet without notice and without incurring any obligations.

